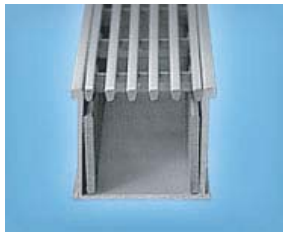


## 38AG Product Information



### 38AG

38mm wide Architectural Stainless Steel grate with PVC channel

#### Product Description

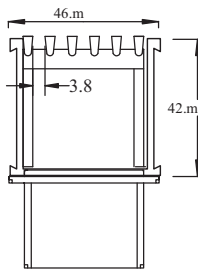
This innovative product removes water from the trench along its length using one or more outlets, improving efficiency of the drain, removing far larger quantities of water than would otherwise be possible.

When large format tiles are selected, Stormtech is an essential component, as it removes the need to crosscut the tiles.

When used in bathrooms, particularly shower areas the slope of the floor can be made into a uniform direction, without the multiple fall required when using central floor drains. This increases safety significantly by allowing the use of non-slip tiles, reducing the amount of water pooling on the floor surface and removing the need for steps, hobs and frames, thus reducing trip hazards.

The 316 stainless steel grate provides a prestige finish with design flexibility to allow it to be used in contemporary or classic styles.

Product Diagram



#### Product Applications

- ➔ Bathrooms
- ➔ Suspended Slabs and Balconies
- ➔ Thresholds and Doortracks
- ➔ Driveways
- ➔ Pools and Paved Areas
- ➔ Patios, Courtyards and Terraces
- ➔ Commercial Applications and Large Scale Projects
- ➔ Special Needs Access

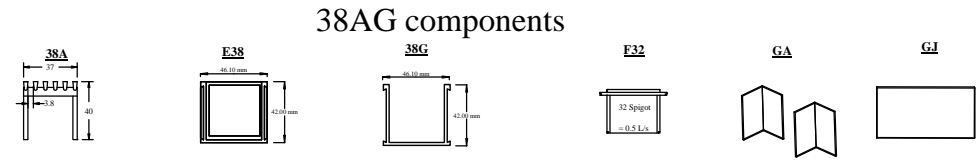
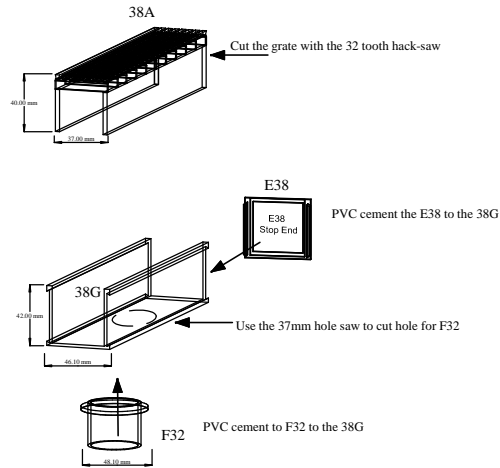
#### Pages:

- 1, assembly instruction
- 2, installation - timber substrate
- 3, installation - concrete substrate
- 4, installation - bathroom
- 5, installation - threshold
- 6, installation - against wall

<http://www.stormtech.com.au/38ag.html>

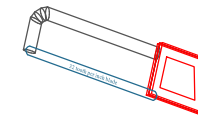


## 38AG Assembly Instructions

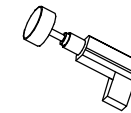


### 38AG components

### Specific tools required



Hacksaw with 32 tooth per inch metal blade



Drill with 37mm hole saw, arbor is suggested



Clear PVC solvent cement

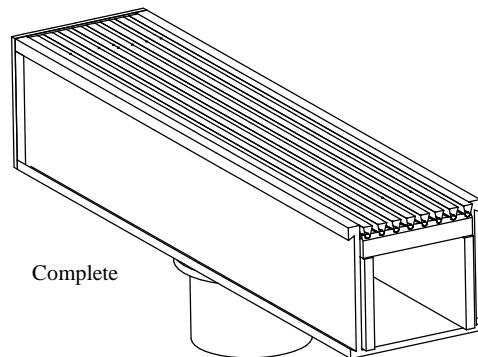
**STEP 1** Cut the 38G channel to size. When measuring allow 5mm less for the E38 stop ends to fit, ie if 900mm is required, cut channel to 895mm.

**STEP 2** Fit the E38 stop ends to the ends of the channel. Use the Clear PVC solvent cement to fix, ensure a tight fit with no gaps.

**STEP 3** Cut outlet hole. Use a 37mm holesaw, with arbor to cut a hole in the base of the 38G channel. This hole should preferably be in the centre, however some offset is possible.

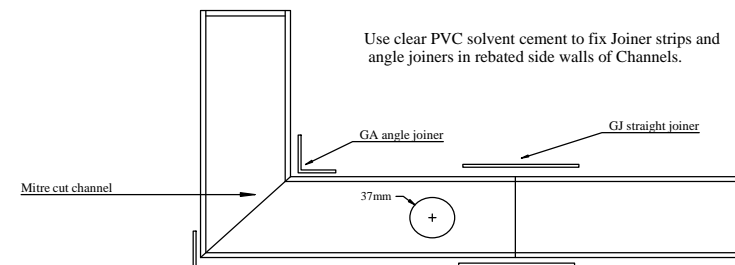
**STEP 4** Fix the F32 to the underside of the 38G with Clear PVC solvent cement. Ensure clean fit into channel.

**STEP 5** Cut the 38A grate to size. Use the 32 tooth hacksaw and cut by hand. Ensure cut is square. Gently file back rough edges for safety. **NOTE**, cut grate 2mm shorter than inside dimension of channel to ensure easy removal for cleaning.



Complete

### Straight joins and angle joins

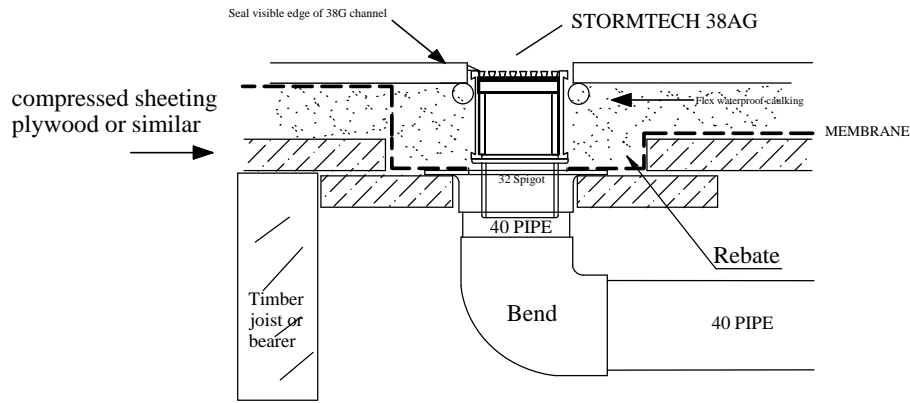


Use clear PVC solvent cement to fix Joiner strips and angle joiners in rebated side walls of Channels.

# 38AG TIMBER FLOOR/DECK

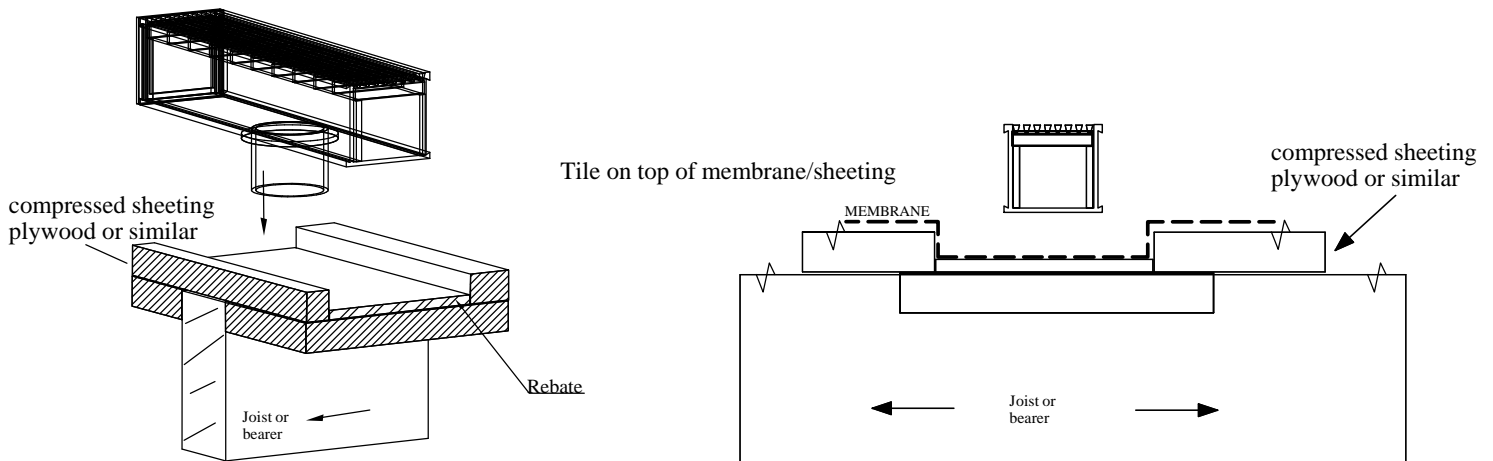
## Standard installation

### When 38AG is running parallel to joist/bearer



Provide access to drain pipes for cleaning

### When 38AG is running perpendicular to joist/bearer

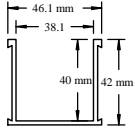


NOTE if waterproofing is required the rebate must be waterproofed before laying the 38AG system.

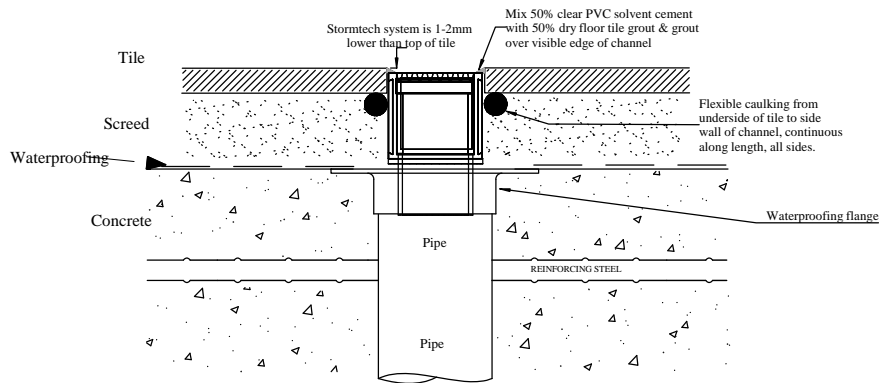
A 40 Flange fits in a 50 DWV pipe and should drain 1.0 L/s..... We recommend these Spigots every 2m.. not more than 1.0m from end.  
The loose fitting Spigots provide an outlet for moisture in the waterproof rebate and allows the Channel to be removed for safe keeping until tiling.

# 38AG CONCRETE FLOOR/DECK

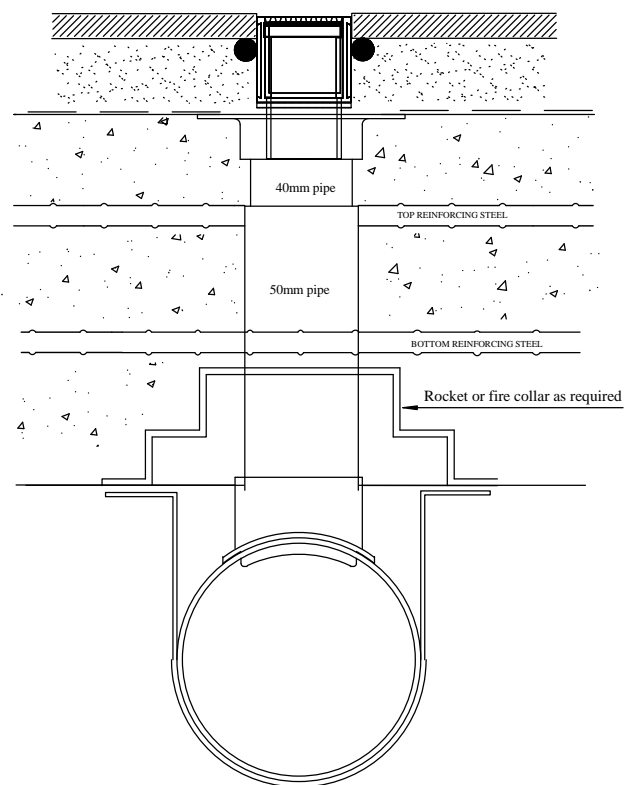
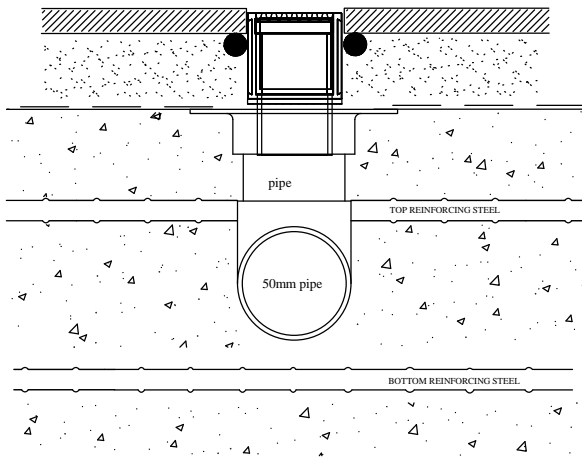
## Standard installation



### Slab on ground.



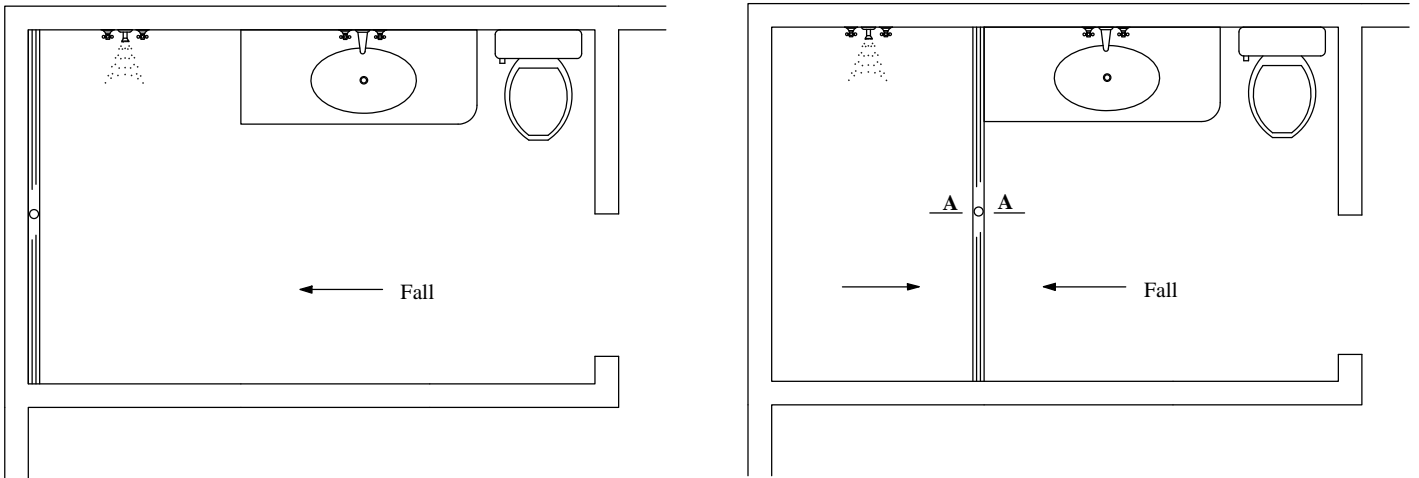
### Suspended Slab



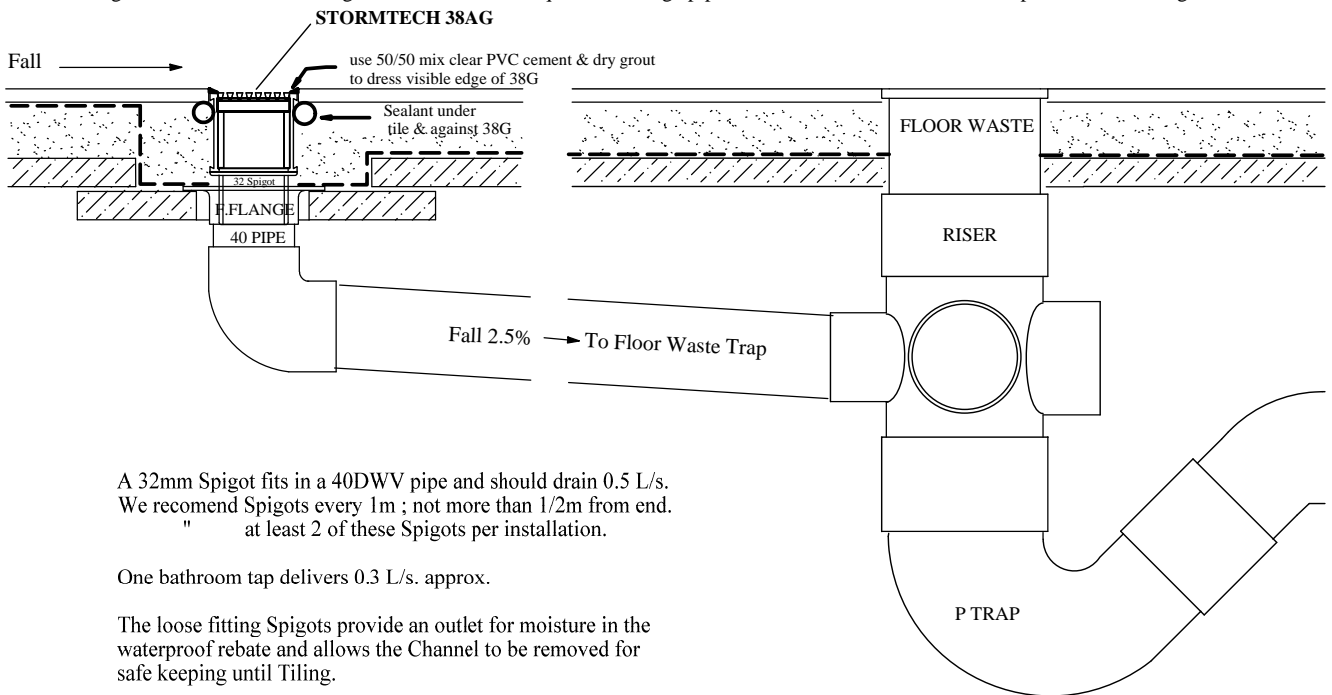
An F32 spigot fits in a 40 DWV pipe and should drain 0.5 L/s..... We recommend these Spigots every 1m, not more than 0.5m from end.  
The loose fitting Spigots provide an outlet for moisture in the waterproof rebate and allows the Channel to be removed for safe keeping until tiling.

## BATHROOM 38AG

www.stormtech.com.au



This design conforms with Plumbing Code AS3500 that requires discharge pipes be connected to a floor waste trap with removable grate.



A 32mm Spigot fits in a 40DWV pipe and should drain 0.5 L/s.  
 We recommend Spigots every 1m ; not more than 1/2m from end.  
 " at least 2 of these Spigots per installation.

One bathroom tap delivers 0.3 L/s. approx.

The loose fitting Spigots provide an outlet for moisture in the waterproof rebate and allows the Channel to be removed for safe keeping until Tiling.

Installations in suspended floors, should be in a waterproof rebate.



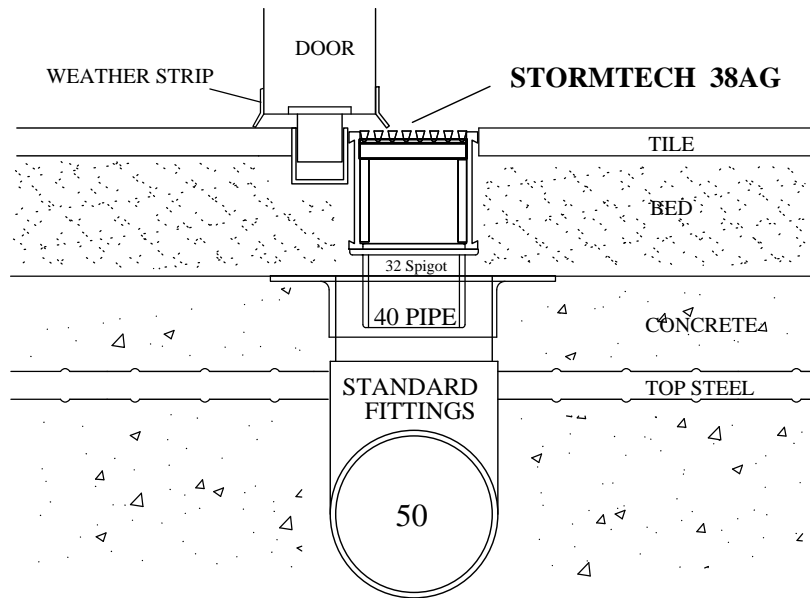
( Patent 733361 )

# STORMTECH Pty Ltd

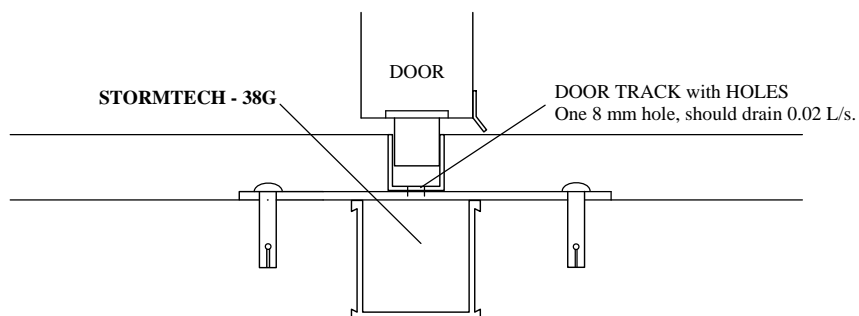
## Architectural grates & drains

www.stormtech.com.au

### 38AG THRESHOLD



**Provide access to drain pipes for cleaning.**



Suggested designs only.  
Stormtech only supply the PVC drains.

( Patent 733361 )

NOTE, all information remains the intellectual property of Stormtech Pty Ltd. This information is for reference only, no liability is accepted for any use of this information.

## 38AG Against Wall

